

**BALDOR® • RELIANCE** 

**Product Information Packet**

**EM44252T-4**

**250HP,3570RPM,3PH,60HZ,449TS,TEFC,F1**

Part Detail							
Revision:	B	Status:	PRD/A	Change #:		Proprietary:	No
Type:	AC	Elec. Spec:	A44WG2749	CD Diagram:	416820-036	Mfg Plant:	
Mech. Spec:		Layout:	617427-006	Poles:	02	Created Date:	04-02-2015
Base:		Eff. Date:	03-01-2017	Leads:	3#3/0 (02 per group)		

Specs			
Catalog Number:	EM44252T-4	Heater Indicator:	No Heater
Enclosure:	TEFC	Insulation Class:	F
Frame:	449TS	Inverter Code:	Inverter Ready
Frame Material:	Iron	IP Rating:	NONE
Output @ Frequency:	250.000 HP @ 60 HZ	KVA Code:	F
Synchronous Speed @ Frequency:	3600 RPM @ 60 HZ	Motor Lead Quantity/Wire Size:	6 @ 3/0 AWG
Voltage @ Frequency:	460.0 V @ 60 HZ	Motor Type:	A44128M
XP Class and Group:	None	Mounting Arrangement:	F1
XP Division:	Not Applicable	Power Factor:	91
Agency Approvals:	CCSA US	Product Family:	General Industrial
	CSA EEV	Pulley End Bearing Type:	Ball
Auxillary Box:	No Auxillary Box	Pulley Face Code:	Standard
Base Indicator:	Rigid	Shaft Ground Indicator:	No Shaft Grounding
Bearing Grease Type:	Polyrex EM (-20F +300F)	Shaft Rotation:	Reversible
Current @ Voltage:	268.000 A @ 460.0 V	Shaft Slinger Indicator:	No Slinger
Design Code:	B	Speed Code:	Single Speed
Drip Cover:	No Drip Cover	Motor Standards:	NEMA
Duty Rating:	CONT	Starting Method:	Direct on line

<b>Feedback Device:</b>	NO FEEDBACK	<b>Thermal Device - Bearing:</b>	None
		<b>Thermal Device - Winding:</b>	None

Nameplate NP2496L

MOBIL POLYREX EM

Nameplate NP2349L											
SPEC NO.	A44-7088-2749			CAT.NO.	EM44252T-4			FRAME	449TS		
HP	250	VOLTS	460	PHASE	3	DESIGN	B	TYPE	P		
RPM	3570	AMPS	268	HZ	60	AMB	40	SF	1.15		
DRIVE END BEARING	65BC03J30X			DUTY	CONT		INSUL.CLASS	F			
OPP D.E. BEARING	65BC03J30X			ENCL	TEFC		CODE	F			
SER.NO.				POWER FACTOR	91		NEMA-NOM-EFFICIENCY	95.8			
							MAX CORR KVAR	24		GUARANTEED EFFICIENCY	95
							NEMA NOM/CSA QUOTED EFF				
							MOTOR WEIGHT	2595			

Parts List		
Part Number	Description	Quantity
SA296091	SA A44-7088-2749	1.000 EA
RA282142	RA A44-7088-2749	1.000 EA
421948051	LABEL, MYLAR	1.000 EA
NP2496L	MOTOR LUBE NAMEPLATE	1.000 EA
000613006PU	N/P (RELEASE QTY 10,000) UL CSA LABEL	1.000 EA
000692000FF	N/P	1.000 EA
000692000VD	LABEL WARNING	1.000 EA
NP2349L	SUPER-E ,SS, CSA, CSA SUPER-E	1.000 EA
089490097A	BRKT 089490102WCA	1.000 EA
415072001B	CLAMP	1.000 EA
083199126RA	G28 MOLDED FAN COVER W/BAFFLE ASSEMBLY	1.000 EA
034180014DA	KEY 1/4X1/4X1-3/4 L	1.000 EA
078548001R	FAN KB 234/150 (84) 400	1.000 EA
004824015A	GREASE POLYREX EM	0.540 LB
032018020FK	HHCS 3/4-10X2-1/2 PLTD.	4.000 EA
032018008CK	HHCS 3/8-16X1L PLATED	4.000 EA
032018022CK	HHCS 3/8-16X2-3/4 PLTD	3.000 EA
415096002A	CPLG 1/8 HEX TYPE	1.000 EA
410700004F	WSHR	1.000 EA
034017014AB	LCKW 3/8 STD. PLATED	4.000 EA
034530072AB	P/NIP 1/8X9"L Threaded both ends	1.000 EA
034690005AB	PPLG 3/4 PLATED	1.000 EA
034630002AB	CPLG 1/4" PLATED	1.000 EA
034690002AB	PPLG 1/4" PLTD.	1.000 EA

Parts List (continued)		
Part Number	Description	Quantity
034690001AB	1/8" NPT SQHDPLG	1.000 EA
034530072BB	PIPE NIPPLE,DE - 440-BS	1.000 EA
032620016LA	SOCKET SET SCREW-449	3.000 EA
034630002AB	CPLG 1/4" PLATED	1.000 EA
034530072BB	PIPE NIPPLE,DE - 440-BS	1.000 EA
034690002AB	PPLG 1/4" PLTD.	1.000 EA
034690001AB	1/8" NPT SQHDPLG	1.000 EA
702623012A	THERMAL BARRIER, G28	1.000 EA
032018004BK	HHCS 5/16-18X1/2 PLATED	3.000 EA
034000013AB	WSHR 5/16" PLATED-440	3.000 EA
089490097A	BRKT 089490102WCA	1.000 EA
032018020FK	HHCS 3/4-10X2-1/2 PLTD.	4.000 EA
032018022CK	HHCS 3/8-16X2-3/4 PLTD	3.000 EA
034530072AB	P/NIP 1/8X9"L Threaded both ends	1.000 EA
415096002A	CPLG 1/8 HEX TYPE	1.000 EA
032018006BK	HHCS 5/16-18X3/4 PLATED	3.000 EA
034017013AB	LCKW 5/16 STD. PLATED	3.000 EA
702623022A	G28 AIR DEFLECTOR DRIVE END -- PLASTIC	1.000 EA
034001013AB	FTW BAFFLE	3.000 EA
415915007K	GASK, 26" LAC	1.000 EA
702658001B	+C/BOX, PAINTED 440	1.000 EA
702658002A	+C/BOX CVR, PAINTED 440	1.000 EA
406056008A	GASKET, TERBD 440	1.000 EA
418153001A	GASK 440	1.000 EA

Product Information Packet: EM44252T-4 - 250HP,3570RPM,3PH,60HZ,449TS,TEFC,F1

418150003A	GREASE FITTING CAP	1.000 EA
MG1025Y17	WILKOFAS, 789.701, SUPER E PEARL GOLD	0.500 GA
032018008DK	HHCS 1/2-13X1 PLATED	4.000 EA
035000001A	ALFTG 1/8" 1610-BL	1.000 EA
415000103D	T/LUG #4AWG-1/0AWG W/HOLE FOR .250 BOLT	1.000 EA
033512006LB	HHTTS 1/4-20X3/4 PLTD.	8.000 EA
406099000A	PLUG - FAN COVER 320-440	1.000 EA
033512004LB	HHTTS 1/4-20X1/2 PLTD.	1.000 EA
035000001A	ALFTG 1/8" 1610-BL	1.000 EA
418150003A	GREASE FITTING CAP	1.000 EA
033775004EA	DRSCR #6-1/4 304 S.S.	2.000 EA
034180024HA	KEY 5/8X5/8X3 L	1.000 EA
604797056	400-447 FRAME 60 X 42	1.000 EA
032510026D	CARRIAGE BOLT - 440	2.000 EA
034001016AB	WSHR .562ID 1.375OD .109	2.000 EA
034001014AB	FLAT WASHER 3/8"PLATED	2.000 EA
033300014AC	HEX NUT, SHIPPING - 400	2.000 EA
604799003C	PLASTIC BAG 42X32X46	1.000 EA

REL. S.O.	FRAME	HP	TYPE	PHASE/HERTZ	RPM	VOLTS
	449TS	250	P	3/60	3570	460
AMPS	DUTY	AMB °C/INSUL.	S.F.	NEMA DESIGN	CODE LETTER	ENCL.
268	CONT	40/F	1.15	B	F	TEFC
E/S	ROTOR	TEST S.O.	TEST DATE	STATOR RES. @25 °C OHMS (BETWEEN LINES)		
433537	418143-13-NE	---	---	.00996		

PERFORMANCE


LOAD	HP	AMPERES	RPM	POWER FACTOR %	EFFICIENCY %
NO LOAD	0	52.6	3600	8.53	0
1/4	62.5	82.6	3593	76.7	92.4
2/4	125	138	3587	89.3	95.3
3/4	188	200	3580	91.4	95.9
4/4	250	268	3572	91.0	95.9
5/4	312	337	3564	90.8	95.7

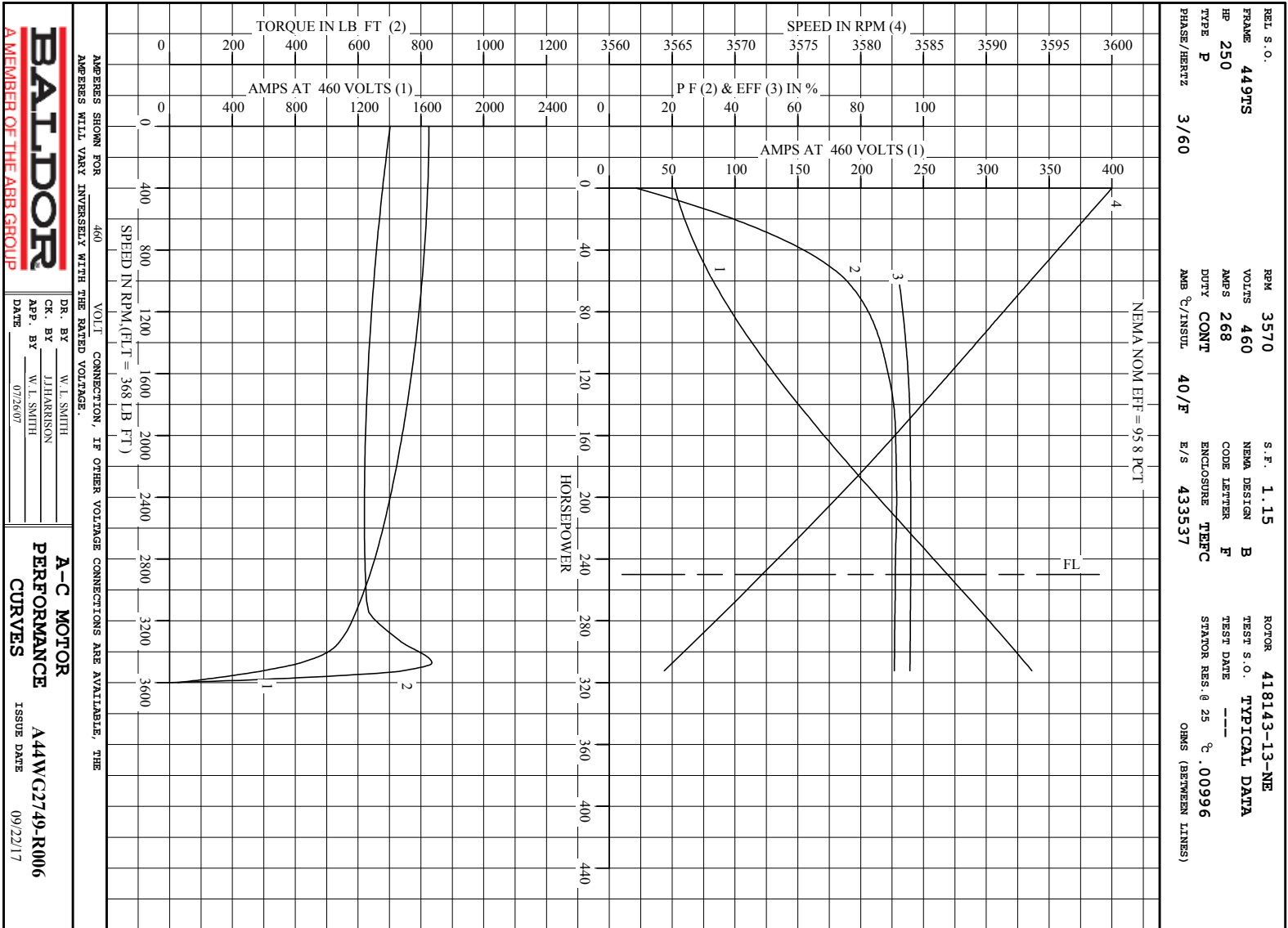
SPEED TORQUE

	RPM	TORQUE % FULL LOAD	TORQUE LB.-FT.	AMPERES
LOCKED ROTOR	0	191	702	1651
PULL UP	2550	169	620	1371
BREAKDOWN	3472	227	835	831
FULL LOAD	3572	100	368	268

AMPERES SHOWN FOR 460. VOLT CONNECTION. IF OTHER VOLTAGE CONNECTIONS ARE AVAILABLE, THE AMPERES WILL VARY INVERSELY WITH THE RATED VOLTAGE

REMARKS: TYPICAL DATA  
NEMA NOM EFF = 95.8 PCT.

 <p><b>A MEMBER OF THE ABB GROUP</b></p>	DR. BY	W. L. SMITH	<p><b>A-C MOTOR</b> PERFORMANCE DATA</p> <p>ISSUE DATE 09/22/17</p>
	CR. BY	J. J. HARRISON	
	APP. BY	W. L. SMITH	
	DATE	07/26/07	



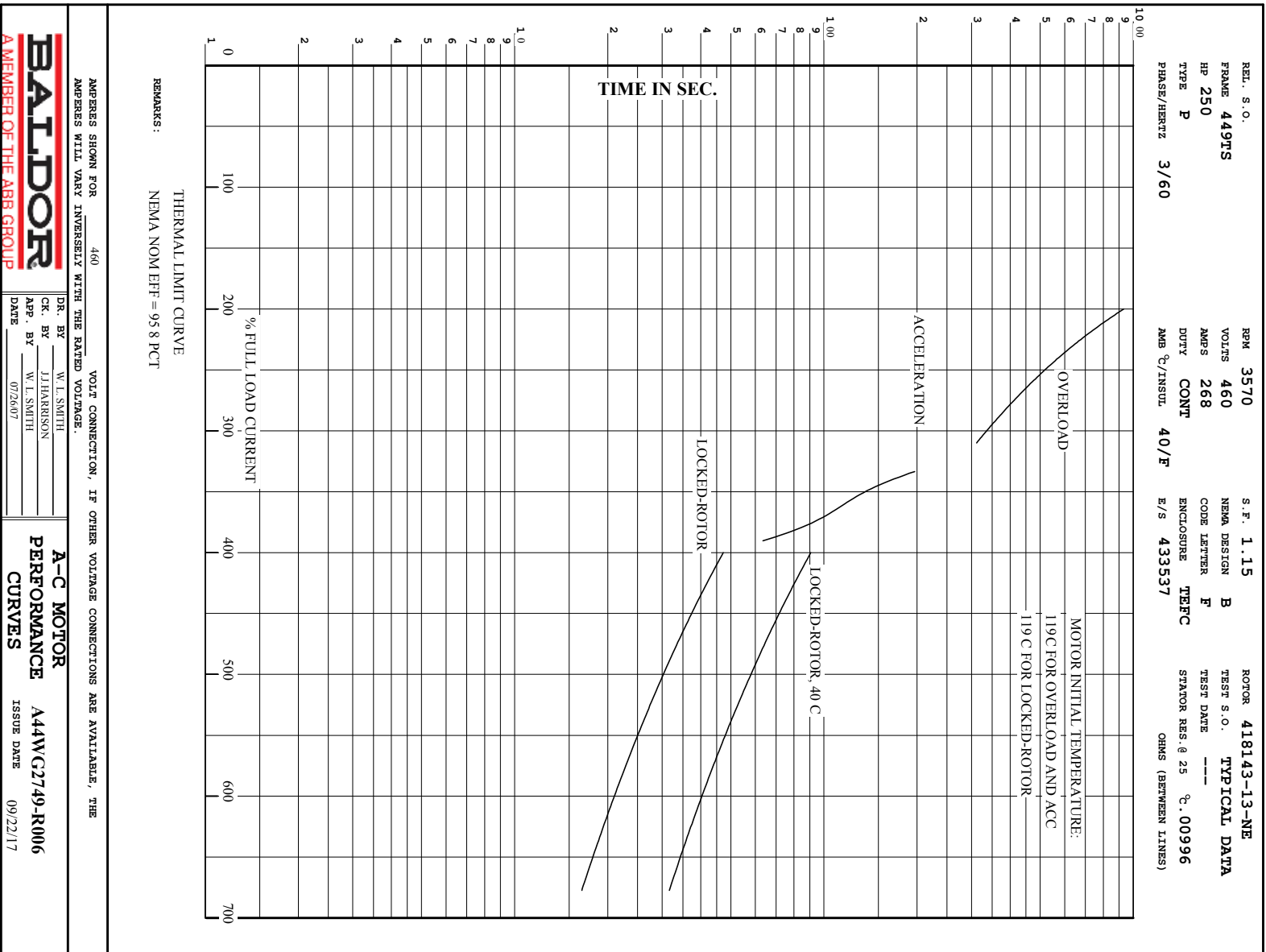
AMPERES SHOWN FOR 460 VOLT CONNECTION, IF OTHER VOLTAGE CONNECTIONS ARE AVAILABLE, THE AMPERES WILL VARY INVERSELY WITH THE RATED VOLTAGE.

**BALDOR**  
A MEMBER OF THE ABB GROUP

DR. BY	W. L. SMITH
CHK. BY	J. HARRISON
APP. BY	W. L. SMITH
DATE	07/26/07

**A-C MOTOR PERFORMANCE CURVES**

A44WC2749-R006  
ISSUE DATE 09/22/17

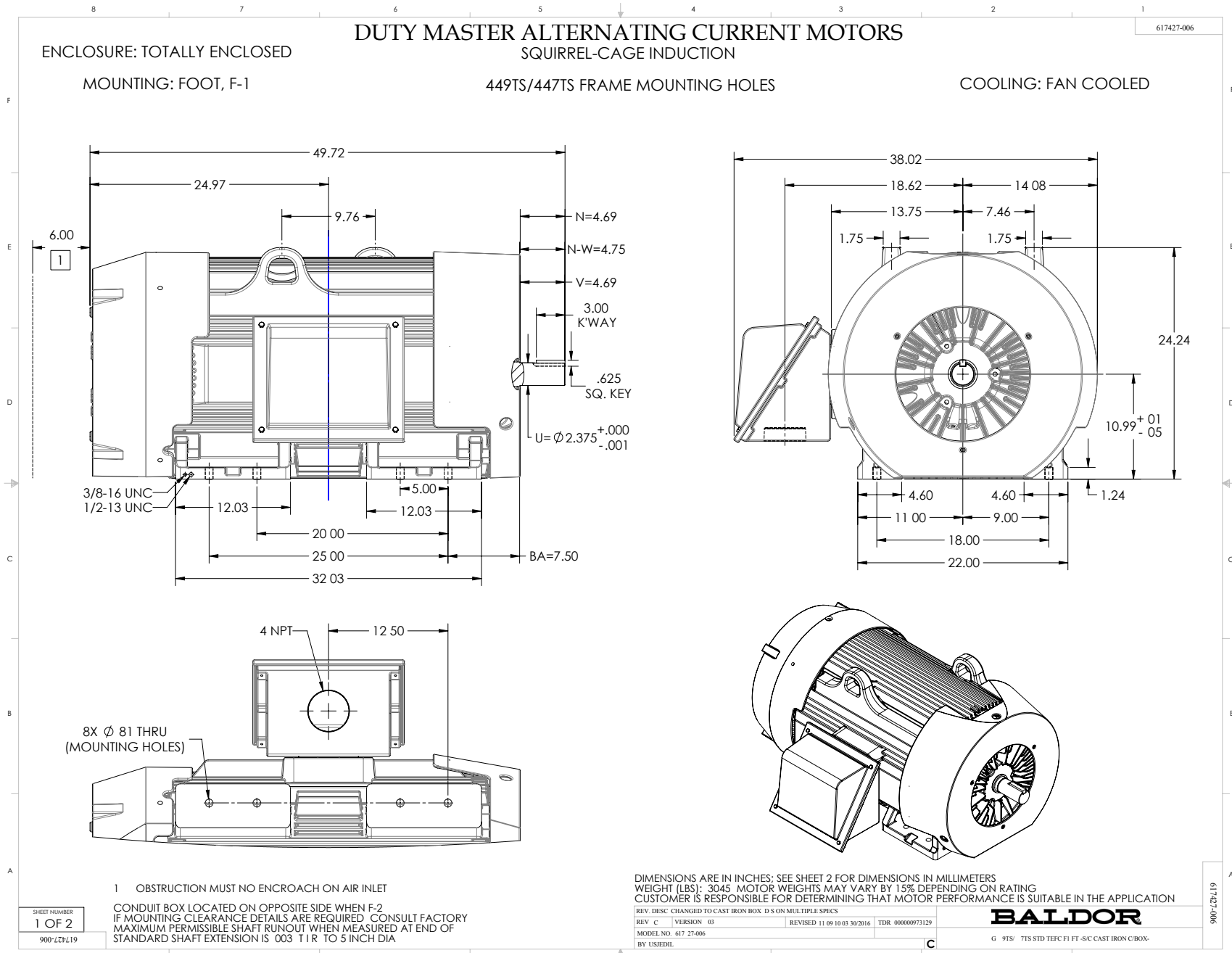


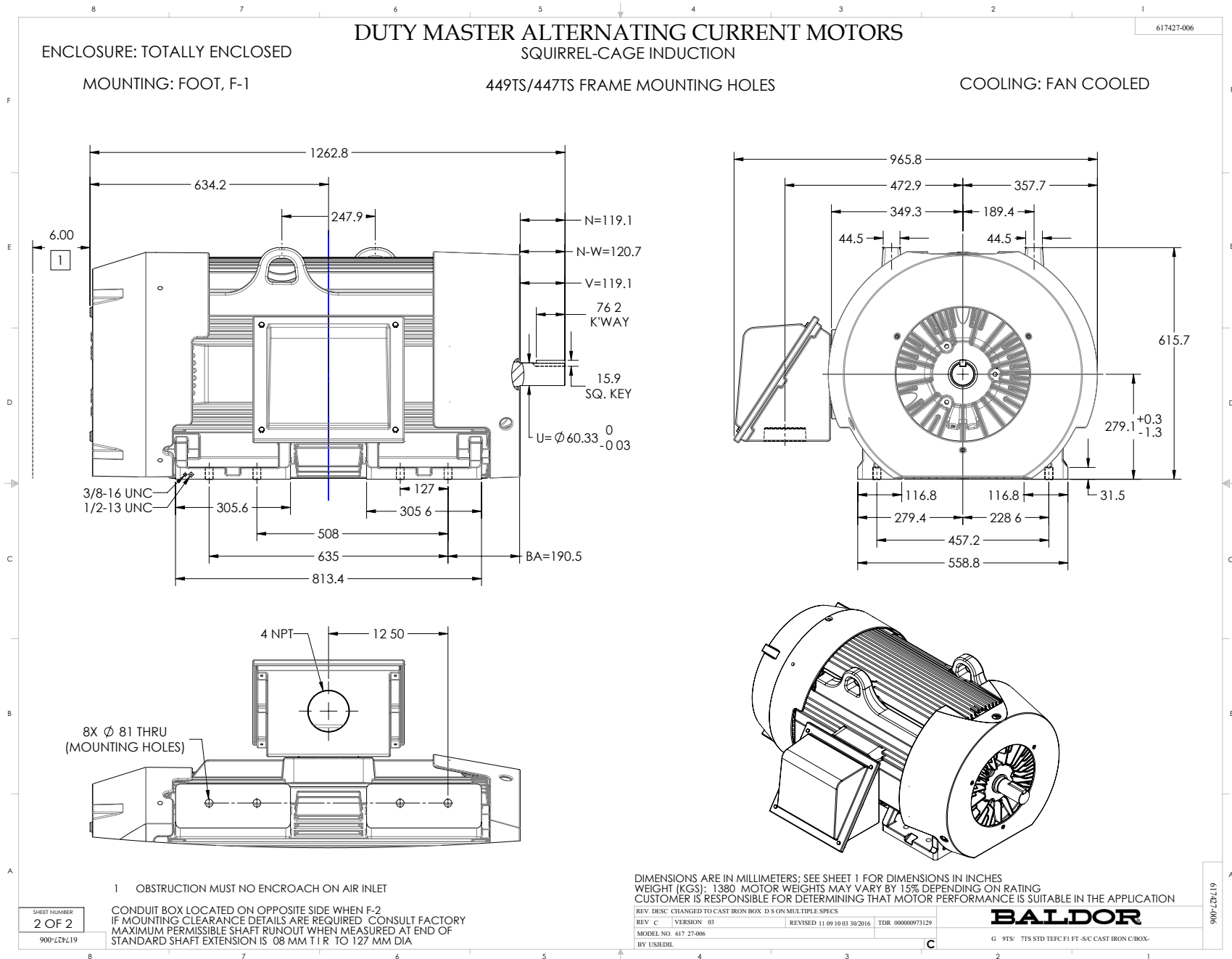
**BALDOR**  
A MEMBER OF THE ABB GROUP

DR. BY W. L. SMITH  
CK. BY J. HARRISON  
APP. BY W. L. SMITH  
DATE 07/26/07

**A-C MOTOR**  
**PERFORMANCE**  
**CURVES**

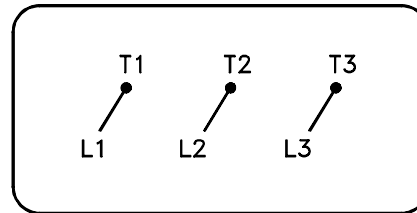
A44W/G2749-R006  
ISSUE DATE 09/22/17





416820-036

A-C MOTOR  
 CONNECTION DIAGRAM  
 STANDARD 3 LEAD CONNECTED



(N.P. 1575-BA)

416820-036

REV. DESC: LOADED TO BUS, C/R 335225		
REV. LTR: -	VERSION: 00	TDR: 000000538207
FILE: \MGA\00000\682	REVISED: 11:54:06 04/30/2010	
MTL: -	BY: RAGRA	

**BALDOR**

CONN DIAG - STANDARD 3 LEAD

SH 1 of 1

Marketing maintained PDF of MN408:

[MN408?ManNumber=MN408](#)

Marketing maintained PDF of MN416:

[MN416?ManNumber=MN416](#)